

## Alignment Clamps

### EFRAC 180 Standard and Deluxe Kits; Restraining and Alignment Clamp

Extremely rigid and powerful Clamp available in two kit options and with the option of additional accessories.

'Click-tight' liners for quick and easy adjustment for different pipe diameters... screws and allen keys are not required!

The standard Clamp caters for straight and reducing fittings, whilst the Deluxe Clamp can also handle elbows. Both kits come in a tough carry-bag and have the option of additional size liners and a 90° arm attachment to enable the use of a third clamp ring for welding 90° equal tees.



Product Code	Description	Size Diameter Range	
089-000302	EFRAC 180 Kit – Standard, complete with straight bar, standard liners and bag	63, 90, 125 & 180mm	H
089-000345	EFRAC 180 Kit – Deluxe, complete with knuckled bar, standard liners and bag	63, 90, 125 & 180mm	H
045-000202	Spare Blue Carrying Holdall	-	
Please enquire	Spare Blue Carrying Holdall – Customer Logo	-	
089-000305	EFRAC 180 90deg tee adaptor clamp	63, 90, 125 & 180mm	H
045-000245	EFRAC180 90deg tee adaptor Carrying Holdall (not supplied as std.)	-	
Please enquire	EFRAC180 90deg tee adaptor Carrying Holdall – Customer Logo	-	

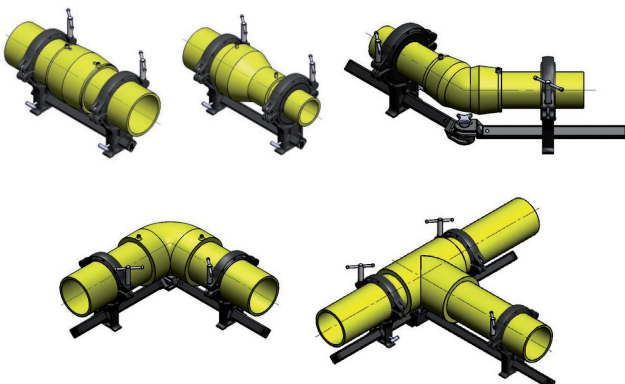


Table showing all 'click-tight' liners available

Product Code	Description	
604-000005	63mm Liner, each (4 required)	H
604-000009	75mm Liner, each (4 required)	H
604-000004	90mm Liner, each (4 required)	H
604-000006	110mm Liner, each (4 required)	H
604-000003	125mm Liner, each (4 required)	H
604-000007	140mm Liner, each (4 required)	H
604-000008	160mm Liner, each (4 required)	H